



machine tree

Imagination. Innovation. Excellence.



Manufacturer of custom &
standard Hydraulics Equipment & Systems

www.machinetree.in

INDEX

About Us _____	01
Hydraulic Presses _____	03
Hydraulic Lift _____	09
Hydraulic Jacks _____	11
Hydraulic Cylinders _____	23
Machine Tree Hydraulic Pump Unit _____	24
Hydraulic Special Purpose Machines _____	25
Machine Tree Puller Attachment _____	27
Hydraulic Accessories _____	28

BIRTH OF MACHINE TREE

Machine Tree established in the year 2017, under the leadership of Mr. Ramakrishnan, co-founder has been serving the Hydraulic Manufacturing Industry being a technocrat over last 40 years. Over the decades, he has developed an unparalleled range of hydraulic tools for thousands of applications and has been providing solutions, in virtually every industry undefined.

With a vision to grow, improve, succeed in the industry adapting latest innovative sustainable approach and with a mission of manufacturing portable, cost-effective products with the latest advanced manufacturing process to serve various industries globally, ensuring our customers operate our products safely and productively every day.

HOW WE MAKE A DIFFERENCE

Machine Tree has an integrated and unique approach which combines of design, innovation, simplicity, and reliability with fully integrated service providing intellectual solutions to problem solving from concept to completion backed by world class engineering and industry leading partners.

We outpace the competition to be one of the leading manufacturers of Hydraulic & Pneumatic Equipment's by delivering technically superior solutions that are easy to get, safe to use and built to outlast.

Machine Tree has been appreciated for successfully supplying to various government and private sectors including Space Research, Forging, Railways, Mining, Power Plants, Automotive, Aerospace, Construction & Infrastructure industries and many more.

For us, offering the ideal customer experience means working overtime to make sure our customers can be heroes when it matters the most by providing on-demand access to a vast catalog of products and services, extensive training, and onsite installation.



OUR VISION

- V - Visualize growth
- I - Improve
- S - Success
- I - Integrity
- O - Oath
- N - Novel

OUR MISSION

- M- Manufacture
- I - International standard
- S - Sustainable &
- S - Safe adapting
- I - Innovative technology & produce
- O - Outstanding Quality and
- N - New fashioned product





CNC TURNING



BORING MACHINE



HONING MACHINE



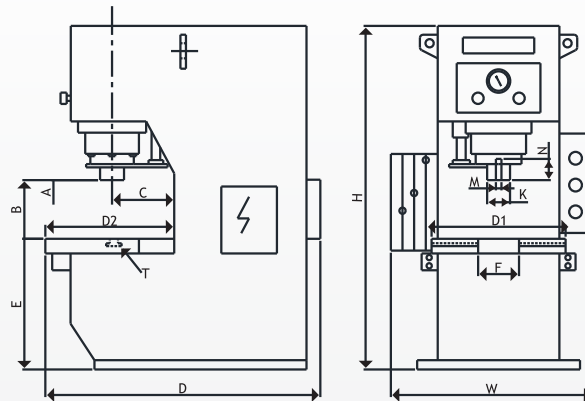
PLATE CUTTING / BENDING MACHINE



C-Type / Throat Type Press - (Model: MTP-C)

(Capacity: 6.3 to 200 Tons.)

APPLICATION: Punching, Stamping, Bar straightening, Embossing, Press fitting, etc.)



Technical specification

Model No.		MTCP6	MTCP10	MTCP16	MTCP25	MTCP40	MTCP63	MTCP100
Forward capacity	Tonne	6.3	10	16	25	40	63	100

Dimensional Specifications

Ram stroke	A mm	315			400			500
Day light	B mm	500			630			800
Throat	C mm	175		200	225	250	275	300
Table size	D1 mm	400	400	450	500	550	600	700
	D2 mm	350	350	400	450	550	550	600
Table ht from G.L.	E mm	750						
U' cut out in table	F mm	100	120			140		160
T-slot	T mm	T12	T14			T18		T22
Ram end Threading	K mm	M 48 x 2	M 56 x 2	M 72 X 2	M 90 X 3	M 125 X 3	M 160 X 3	
Theading length	L mm	30	35		45			50
Location in ram	M mm	16	20	25	32	40		50
DP of location	N mm	35	40		45	50		

Dimensional Specifications

Height	H mm	2040	2040	2080	2340	2420	2500	2850
Width	W mm	635	635	690	700	800	830	900
Depth	D mm	1175	1300	1380	1460	1590	1780	2000

Functional Specifications

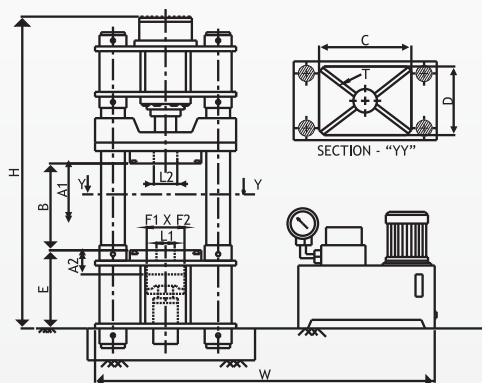
Approach speed	mm/sec	19	14	20	18	80	55	48
Pressing speed	mm/sec	12	8	13	11	12	9	8
Return speed	mm/sec	32	22	36	30	135	100	85
Electric motor capacity	KW	2.2	2.2	3.7	3.7	7.5	9.3	11
Oil tank capacity	Litre	100		150		250	400	400

Hydraulic Pillar Type /Tie Rod Press

(Powder Compacting Press)- (Model: MTP-TR)

(Capacity: 10 to 2000 Ton

APPLICATION: Cocopeat Block,
Tablet, Briquette, Granules)



Technical specification

Model No.	MTPTR 25	MTPTR 40	MTPTR 63	MTPTR 100	MTPTR 160	MTPTR 200	MTPTR 250	MTPTR 315	
Forward capacity	Tonne	25	40	63	100	160	200	250	315

Dimensional Specifications

Ram stroke	A1 mm	400	500	630		
Day light	B mm	630	800	1000		
Table size	C mm	630	800	1000		
	D mm	630	800	1000		
Table height from G.L.	E mm	800	900			
Location bore in main table	L1 mm	100 H7	125 H7	140 H7		
Location bore in ram table	L2 mm	100 H7	125 H7	140 H7		
T-slot	T mm	T18	T22	T28		
Die cushion ram capacity	Tonne	16	25	40	63	100
Die cushion ram stroke	A2 mm	160	200			
Die cushion table size	F1 X F2	400 X 400	500 X 500	630 X 630	800 X 800	

Overall Dimensional

Height	H mm	2600	2750	3100	3400	3600	3700	3850	4200
Width	W mm	1950	2000	2100	2300	2500	2700	2800	
Depth	J mm	980	1250	1450	1650				

Functional Specifications

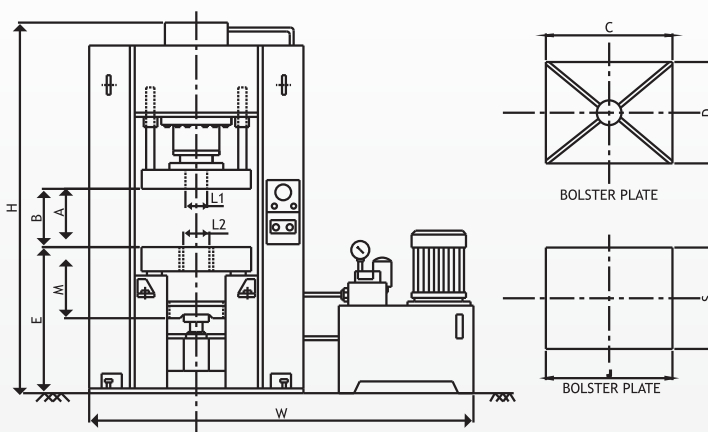
Approach speed	mm/sec	104	110	92	61	44	51	50
Pressing speed	mm/sec	15	11	10	7.5	4.8	6.5	5.3
Return speed	mm/sec	185	173	164	108	144	166	131117
Electric motor capacity	KW	5.5	7.5	11	15	30		
Oil tank capacity	Litre	250	400	500	750			



Closed Frame Press- (Model: MTP-CF)

(Capacity: 40 to 2000 Tons)

APPLICATION: Blanking, Forming, Coining, Deep drawing)



Technical specification

Model No.		MTPCF40	MTPCF63	MTPCF100	MTPCF160	MTPCF200	MTPCF250	MTPCF315
Main ram capacity	Tonne	40	63	100	160	200	250	315
Die cushion ram capacity	Tonne	16	25	40	50	63	100	

Dimensional Specifications

Ram stroke	A mm	400			500		630
Day light	B mm	630			800		1000
Table size	C mm	630			800		1000
	D mm	630			800		1000
Table ht from G.L.	E mm	800			900		1000
Location bore in main table	L2 mm				50 H7		
Location bore in ram table	L1 mm		100 H7		125 H7		140 H7
T-slot	T mm		T18		T22		T28
Die cushion table size	J mm		400		500		630
	S mm		400		500		630
Die cushion ram stroke	M mm		160				200

Overall Dimensional

Height	H mm	2800	3080	3410	3750	2950	4160	4200
Width	W mm	2320	2380	2900	2710		2990	
Depth	J mm	1400	1400		1670			

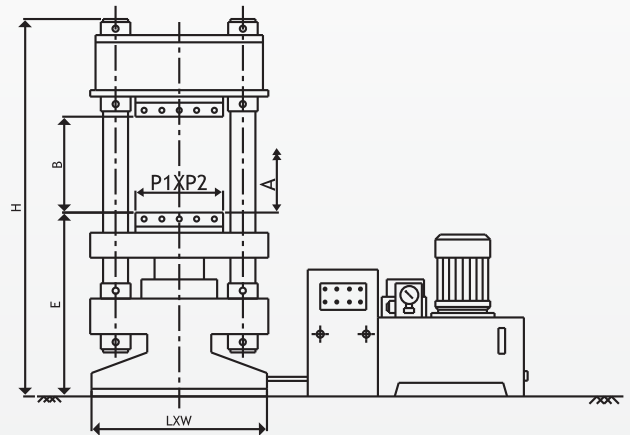
Functional Specifications

Approach speed	mm/sec	110	92	61	44	51	50	
Pressing speed	mm/sec	11	10	7.5	4.8	4.8	6.5	5.3
Return speed	mm/sec	173	164	108	144	166	131	117
Electric motor capacity	KW	7.5	11		15		30	
Oil tank capacity	Litre	400	500		750			



Rubber Moulding Press - (Model: MTP-RM)

(Capacity: 40 to 500 Tons
APPLICATION: Moulding Gaskets,
Seals and O-rings)



Technical specification

Model No.		MTPRM300	MTPRM350	MTPRM400	MTPRM560	MTPRM900	MTPRM1000
Capacity	Tonne	40	75	100	150	300	500
Platen size	P1 mm	300	350	400	560	900	1000
	P2 mm	300	350	400	560	900	1000
Ram stroke	A mm	100	400	250	150	500	200
Day light	B mm	150	255	300	200	700	205
Table ht from G.L.	E mm	750	1200	750	950	1100	1000
Height	H mm	1900	1400	1650	3000	1750	
Width	L mm	950	800	900	1700	1700	
Depth	W mm	350	400	600	1220	1300	
Approach speed	mm/sec	20	30	28	77	13.5	60
Pressing speed	mm/sec	4	2.6	5	1.5	0.7	1
Return speed	mm/sec	50	60	136			
Electric motor capacity	KW	7.5	5		7.5	12.5	5
Oil tank capacity	Litre	250			350	500	350

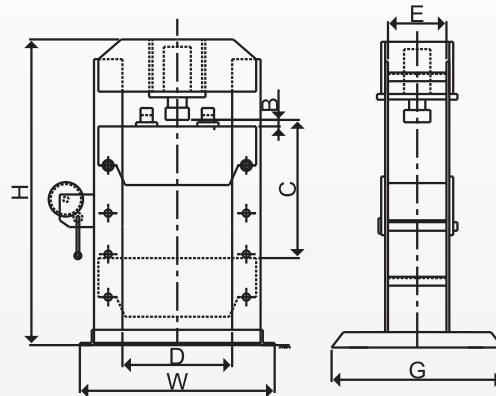




H-Frame / Work Shop Type Press - (Model: MTP-W)

(Capacity: 5 to 200 Ton

APPLICATION: Shaft press fitting, Bearing Pressing, Bending)



Dimensional Specifications

Model number		MTWP10	MTWP20	MTWP30	MTWP40	MTWP50	MTWP100	MTWP150	MTWP200
Capacity	Tonne	10	20	30	40	50	100	150	200
Working pressure	Kg/cm ²	315						480	315
Stroke	A mm	125	150	180		250		300	
Minimum Day light	B mm	100	125	150				260	
Maximum Day light	C mm	1100		1150	1200	1500			
Width between Columns	D mm	550	650	700	750	850	1000		
Depth between Columns	E mm	150	200		250		275	410	450
Number of adjustments		5	5	5	5	5	5	5	5
Overall size Approx.	W mm	800	900	1000	1050	1150	1400	1600	1600
	G mm	600	600	600	800	800	800	1000	1000
	H mm	1950	1950	2100	2200	2400	2750	2800	3300
Approx. Weight	Kg	230	300	425	575	650	1500	3500	2500

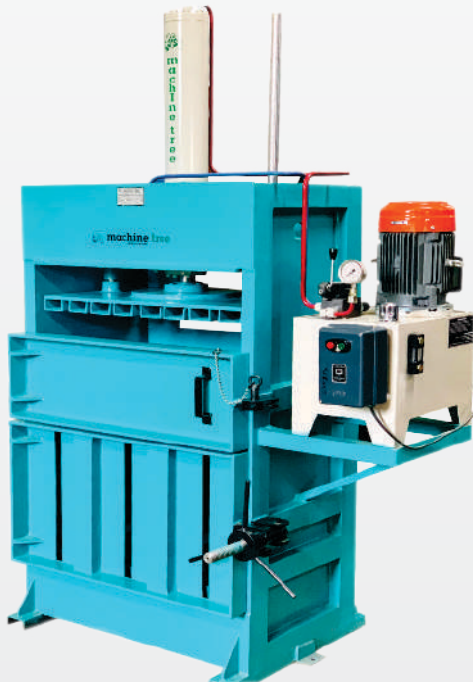




Press Brake- (Model: MTP-PB)

(Capacity: 10 to 600 Ton
APPLICATION :)

Electrical enclosures, Cabinets,
duet work, Hydraulic tanks



Scrap Baling Machine - (Model: MTP-SB)

(Capacity: 10 to 100 Ton

Baling Materials: Metallic, ceramic, Paper,
composite, PTFE)





HYDRAULIC SCISSOR LIFTS (Model: MTSL)

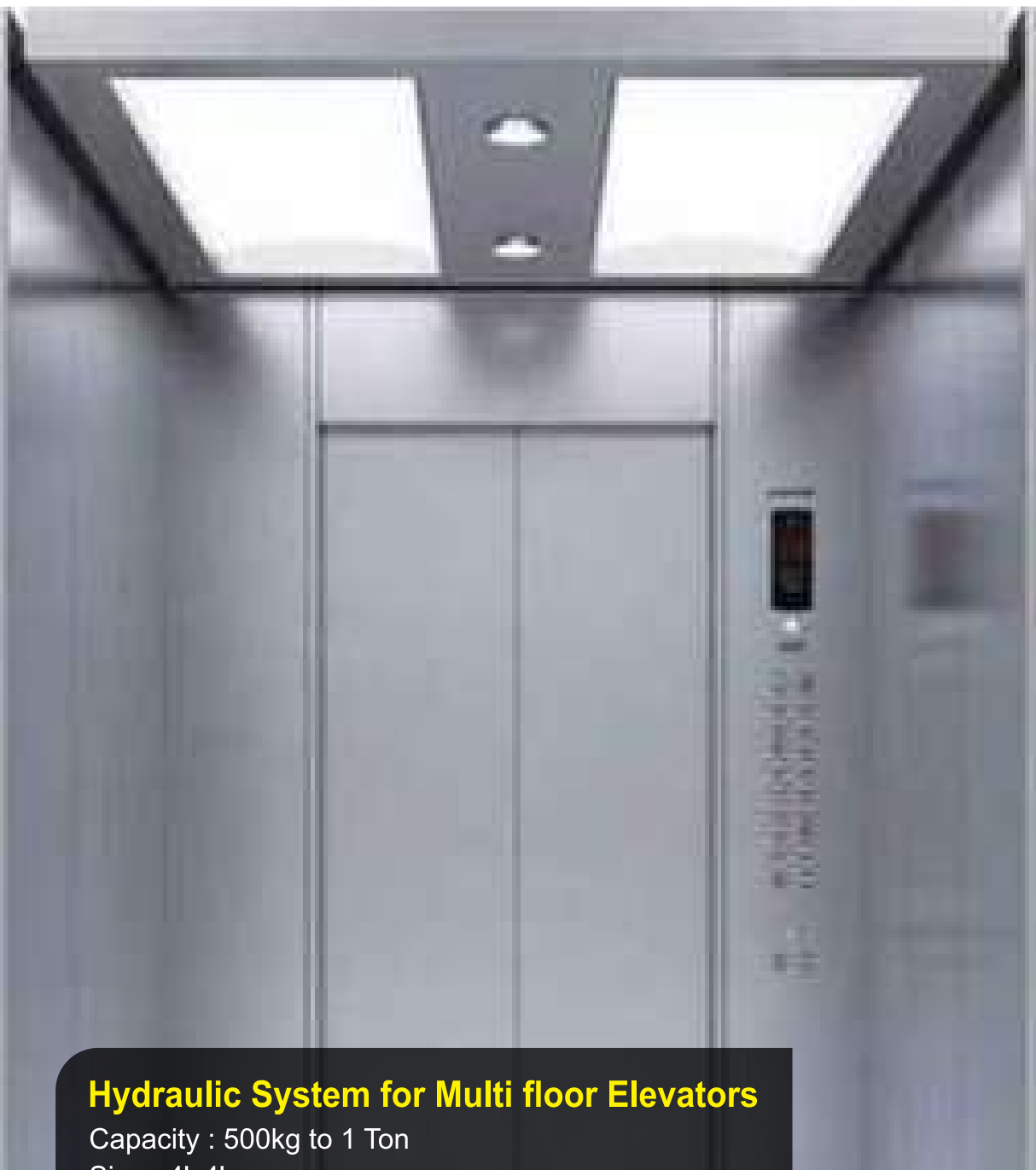
We manufacture Hydraulic scissor lifts, Hydraulic Aerial Work Platforms, Hydraulic Heavy duty Scissor Lifts & Hydraulic Manual Scissor Lifts for indoor and outdoor applications. These Equipments are used to lift, lower, reposition heavy structure in stage at variable heights.

- We manufacture hydraulic operated lifting platform/scissor lift guaranteed with high performance delivery
- Our range of lifting platform finds universal application in various industries.
- Lifts are made with high quality steel with state-of-the-art expertise and machinery.
- Our scissor lifts are custom built for heavy duty and high lifting purpose where capacity varies from 500 kg to 10 ton; lifting height 2 ft. to 15 ft.

Applications:

- Reaching Hard-to-Reach Places
- Transporting and shifting of cars
- Loading and Unloading
- Maintenance
- Transporting Goods





Hydraulic System for Multi floor Elevators

Capacity : 500kg to 1 Ton

Size : 4'x4'

Floor : Upto 3 floors (G+3)

Machine Tree has successfully installed the hydraulic system for home lifts breaking the stereotypes of installing lifts only for high rise buildings. Machine Tree lifts are custom built as unique as the constructs so are the lifts. The main features of lifts are sensor protection, minimum power and battery backup, fast installation with top not safety cabinets, kids and elderly friendly.



MACHINE TREE MULTI STRAND JACK. (PLAIN RAM DOUBLE ACTING JACK).



Capacity (ton)	Stroke (mm)	Model	Maximum no. of Strands		Effective Area (cm ²)	Oil Capacity (cc)	Closed Height (cc)	Cylinder OD (mm)	C'hole dia. (mm)	Ram dia. (mm)
			0.5" Size	0.6" Size						
100	300	MTMI-100/300	7	5	242.5	7275	810	270	90	160
200	300	MTMI-200/300	12	7	388.8	11664	845	350	145	230
300	300	MTMI-300/300	19	12	561.6	16847	870	400	175	280



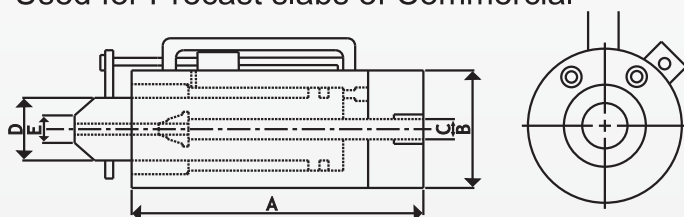
- Higher capacity and customized solutions on request.
- Specifications are subject to change due to continual improvement.
- Capacity and Stroke specified are maximum safe limits. Use at 80% of rating as safe practice.

MACHINE TREE MONO STRAND STRESSING JACK (DOUBLE ACTING FRONT GRIPPING JACK)

Mono Strand- Plain Ram, Double Acting Front Gripping Jack
Capacity 25 - 30 Ton | Stroke 200 mm | Max. Working Pressure 700 bar

Features / Application

- Easy to insert jack over strand in constricted space
- Useful for removing slackness in long strands
- Safety Pressure Relief valve in return line
- Used for Precast slabs of Commercial



Cap (Ton)	Stroke (mm)	Strand Model Number	Effective Arrangement (inch)	Oil Cap Area (cm ²) wedge lock mm	A Close Height (cc) wedge lock mm	A Close Height with mechanical	B Cylinder with hydraulic	C Center Hole OD mm	D Ram Dia mm	D Nose Dia mm
25	200	0.5"/0.6"	37.1	742.0	513	550	110	21	65	46
30	200	0.5"/0.6"	44.0	880.0	513	550	120	21	70	46

MACHINE TREE MONO STRAND STRESSING JACK (DOUBLE ACTING REAR GRIPPING JACK)

Mono Strand- Plain Ram, Double Acting Rear Gripping Jack
Capacity 20 - 30 Ton | Stroke 750-1000 mm
| Max. Working Pressure 700 bar

Features / Application

- Long strokes for stressing strand in one pull
- Pulling of sliders/segments, machine parts & heavy fabrication
- Safety Pressure Relief valve in return line



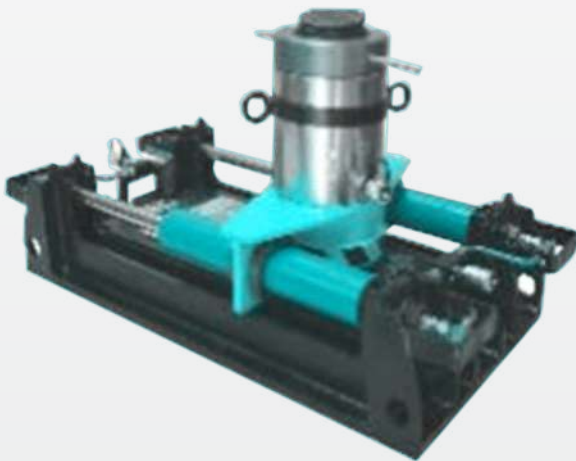
Cap (Ton)	Stroke (mm)	Strand Model Number	Effective Arrangement (inch)	Oil Cap Area (cm ²) wedge lock mm	A Close Height (cc) wedge lock mm	A Close Height with mechanical	B Cylinder with hydraulic	C Center Hole OD mm	D Ram Dia mm	D Nose Dia mm
25	750		0.5"/0.6"	46.3	3472.5	1050	140	20	80	95
30	1000		0.5"/0.6"	90.3	9030.0	1285	180	25	120	130

- Customized solutions on request.
- Specifications are subject to change due to continual improvement.
- Capacity and Stroke specified are maximum safe limits. Use at 80% of rating as safe practice.



TELESCOPIC JACK WITH MECHANICAL TRAVERSING SYSTEM

Lifting Capacity: 25 - 100 Ton
Stroke: 50 - 500 mm
Traversing Capacity: 25 - 100 Ton
Travel: 200 - 300 mm
Telescopic Jack Also Available



HYDRAULIC TRAVERSING SYSTEM THREADED RAM JACK

Lifting Capacity : 150 - 1000 Ton
Stroke : 50 - 300 mm
Traversing Capacity : 150 - 1000 Ton
Travel : 200 - 300 mm

MECHANICAL INFRINGING TRACK JACK

Model	Lifting Capacity		Closed Height		Lift		Head Size	Base Size	Foot Lift (Toe Size)	Weight
	On Head Tons	On Toe Tons	Inch	MM	Inch	MM	MM	MM	MM	KGS
HMT - 15T	15	7.5	22	560	12	304	75x75	160x280	50	32



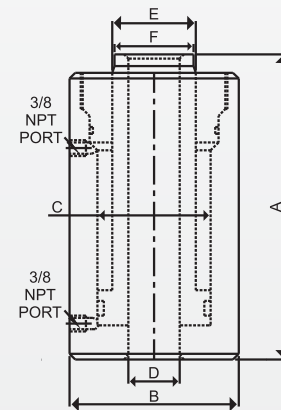
- Customized solutions on request.
- Specifications are subject to change due to continual improvement.
- Capacity and Stroke specified are maximum safe limits. Use at 80% of rating as safe practice.

MACHINE TREE HOLLOW RAM JACK

Hollow Ram Jacks – Plain ram
(Type - Spring Return/Double Acting)
Capacity 10 - 200 Ton | Stroke 50-150 mm
| Max. Working Pressure 700 bar

Features / Application

- As hydraulic pullers with mechanical fixtures for removing & assembling bearing bushes, pins, Cylinder liners, tube pullers of boilers, heat exchangers & gears of machinery
- As Bar jacks & pre-stressing at construction sites
- Anchorage / Re-bar Testing
- Safety Pressure Relief valve in return port
- Threaded saddle optional



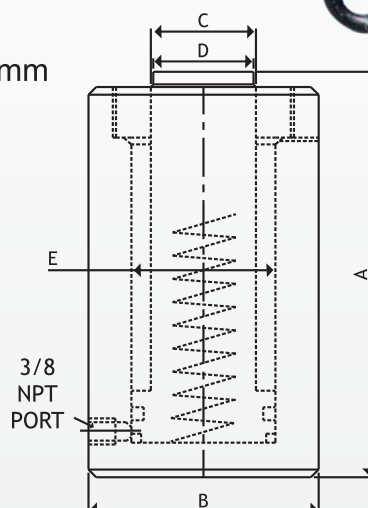
Cap (Ton)	Stroke (mm)	Model Number	Effective Area (cm ²)	Oil Cap (cc)	A Close Height (mm)	B Cylinder OD (mm)	C Bore Dia (mm)	D Ram Dia (mm)	E Nose Dia (mm)
10	75	MTSH-10/75	14.7	110.3	215	75	50	20	40
10	100	MTSH-10/100	14.7	147.0	240	75	50	20	40
20	50	MTSH-20/50	28.9	144.5	210	105	70	27	60
20	100	MTSH-20/100	28.9	289.0	260	105	70	27	60
20	150	MTSH-20/150	28.9	433.5	310	105	70	27	60
30	50	MTSH-30/50	44.2	221.0	225	120	85	33	70
30	100	MTSH-30/100	44.2	442.0	275	120	85	33	70
30	150	MTSH-30/150	44.2	663.0	325	120	85	33	70
50	100	MTSH-50/100	75.4	754.0	285	145	110	42	90
60	75	MTSH-60/75	91.6	687.0	270	160	125	55	100
60	100	MTSH-60/100	91.6	916.0	295	160	125	55	100
60	150	MTSH-60/150	91.6	1374.0	345	160	125	55	100
100	100	MTSH-100/100	156.1	1561.0	300	215	170	78	130
100	150	MTSH-100/150	227.0	3405.1	225	215	170	78	130
150	150	MTSH-150/150	235.6	3534.0	380	250	200	80	150
200	150	MTSH-200/150	301.6	4524.0	405	295	220	80	160

- Higher capacity and customized solutions on request.
- Specifications are subject to change due to continual improvement.
- Capacity and Stroke specified are maximum safe limits. Use at 80% of rating as safe practice.

MACHINE TREE GENERAL PURPOSE / PLAIN RAM SINGLE ACTING JACK

General Purpose Jacks - Plain Ram, Single Acting
(Type - Spring Return)

Capacity 5 - 500 Ton | Stroke 50 - 200 mm
| Max. Working Pressure 700 bar



Capacity (Ton)	Stroke (mm)	Model	Oil Cap (cc)	A Close Height (mm)	B Cylinder OD(mm)	C Ram Dia (mm)	D Saddle DIA (mm)	E Cylinder Bore (mm)	Effective Area (cm ²)
5	100	MTSP-5/100	80.4	188	48	25	25	32	8
	150	MTSP-5/150	120.7	238	48	25	25	32	8
	200	MTSP-5/200	160.9	288	48	25	25	32	8
10	100	MTSP-10/100	159.1	190	65	35	35	45	15.9
	150	MTSP-10/150	238.6	240	65	35	35	45	15.9
	200	MTSP-10/200	318.1	290	65	35	35	45	15.9
15	100	MTSP-15/100	237.6	192	75	45	43	55	23.8
	150	MTSP-15/150	356.4	242	75	45	43	55	23.8
	200	MTSP-15/200	475.2	292	75	45	43	55	23.8
20	100	MTSP-20/100	311.8	199	83	50	48	63	31.2
	150	MTSP-20/150	467.6	249	83	50	48	63	31.2
	200	MTSP-20/200	623.5	299	83	50	48	63	31.2
25	100	MTSP-25/100	311.8	207	90	55	53	63	38.5
	150	MTSP-25/150	467.6	257	90	55	53	63	38.5
	200	MTSP-25/200	623.5	307	90	55	53	63	38.5
30	100	MTSP-30/100	502.7	215	100	60	58	80	44.2
	150	MTSP-30/150	754.1	265	100	60	58	80	44.2
	200	MTSP-30/200	1005.4	315	100	60	58	80	44.2
50	100	MTSP-50/100	785.5	247	130	80	78	100	78.5
	150	MTSP-50/150	1178.3	297	130	80	78	100	78.5
	200	MTSP-50/200	1571.0	347	130	80	78	100	78.5
75	100	MTSP-75/100	1131.1	255	160	95	93	120	113.1
	150	MTSP-75/150	1696.7	305	160	95	93	120	113.1
	200	MTSP-75/200	2262.2	355	160	95	93	120	113.1

- Customized solutions on request.
- Specifications are subject to change due to continual improvement.
- Capacity and Stroke specified are maximum safe limits. Use at 80% of rating as safe practice.

General Purpose Jacks - Plain Ram, Single Acting (Type - Spring Return) Capacity 5 - 500 ton | Stroke 50 - 200 mm | Max. Working Pressure 700 bar

Capacity (Ton)	Stroke (mm)	Model	A Oil Cap (cc)	B Close Height (mm)	C Cylinder OD(mm)	D Ram Dia (mm)	E Saddle DIA (mm)	Effective Cylinder Bore (mm)	Area (cm ²)
100	100	MTSP-100/100	1539.6	260	180	110	108	140	153.9
	150	MTSP-100/150	2309.4	310	180	110	108	140	153.9
	200	MTSP-100/200	3079.2	360	180	110	108	140	153.9
150	100	MTSP-150/100	2270.1	276	225	140	138	170	227
	150	MTSP-150/150	3405.1	326	225	140	138	170	227
	200	MTSP-150/200	4540.2	376	225	140	138	170	227
200	100	MTSP-200/100	3142.0	290	258	160	158	200	314.2
	150	MTSP-200/150	4713.0	340	258	160	158	200	314.2
	200	MTSP-200/200	6284.0	290	258	160	158	200	314.2
250	100	MTSP-250/100	3801.8	290	283	180	177	220	380.1
	150	MTSP-250/150	5702.7	340	283	180	177	220	380.1
	200	MTSP-250/200	7603.6	390	283	180	177	220	380.1
300	100	MTSP-300/100	4524.5	310	315	200	196	240	452.4
	150	MTSP-300/150	6786.7	360	315	200	196	240	452.4
	200	MTSP-300/200	9049.0	410	315	200	196	240	452.4
400	100	MTSP-400/100	5726.3	340	350	220	216	270	572.6
	150	MTSP-400/150	8589.4	390	350	220	216	270	572.6
	200	MTSP-400/200	11452.6	440	350	220	216	270	572.6
500	100	MTSP-500/100	7070	365	400	250	230	300	706.9
	150	MTSP-500/150	10603	415	400	250	230	300	706.9
	200	MTSP-500/200	14137	465	400	250	230	300	706.9

High Tonnage Jacks - Plain Ram, Single Acting Jack (type : Load Return) Capacity 600 - 2000 ton | Stroke 100 - 200 mm | Max. Working Pressure 700 bar

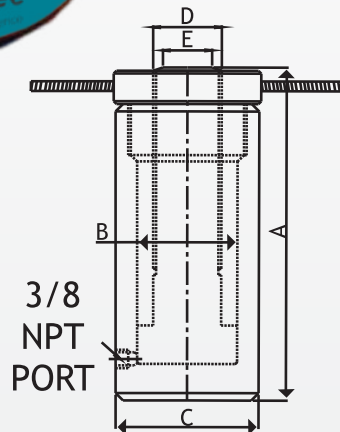
Capacity (Ton)	Stroke (mm)	Model	A Oil Cap (cc)	B Close Height (mm)	C Cylinder OD(mm)	D Ram Dia (mm)	E Saddle DIA (mm)	Effective Cylinder Bore (mm)	Area (cm ²)
600	100	MTLP-600/100	8553	400	435	280	260	330	855.3
	150	MTLP-600/150	12830	450	435	280	260	330	855.3
	200	MTLP-600/200	17106	500	435	280	260	330	855.3
800	100	MTLP-800/100	11341	430	510	310	290	380	1134.1
	150	MTLP-800/150	17012	480	510	310	290	380	1134.1
	200	MTLP-800/200	22682	530	510	310	290	380	1134.1
1000	100	MTLP-1000/100	14186	470	565	350	330	425	1418.6
	150	MTLP-1000/150	21279	520	565	350	330	425	1418.6
	200	MTLP-1000/200	28372	570	565	350	330	425	1418.6
1500	100	MTLP-1500/100	21648	550	700	450	400	525	2164.8
	150	MTLP-1500/150	32472	600	700	450	400	525	2164.8
	200	MTLP-1500/200	43296	650	700	450	400	525	2164.8
2000	100	MTLP-2000/100	29225	620	800	530	495	610	2922.5
	150	MTLP-2000/150	43838	670	800	530	495	610	2922.5
	200	MTLP-2000/200	58450	720	800	530	495	610	2922.5



MACHINE TREE GENERAL PURPOSE THREADED RAM JACK WITH SAFETY LOCK NUT

General Purpose Jacks - Threaded Ram, Single Acting
(Type - Spring Return)

Capacity 10 - 400 Ton | Stroke 150 mm
| Max. Working Pressure 700 bar



Features / Application

- Locking collar designed to support lifted load for Extended periods of time with hydraulic pressure released.
- All cylinders feature coated pistons to resist corrosion and abrasion.

Threaded Ram Jack, Single Acting (Type-Spring Return)

Capacity: 10 - 500 ton | stroke: upto 200 | Working pressure: 700 bar

Cap (Ton)	Stroke (mm)	Model	Effective Area (sq. cm)	Oil Cap (cc)	Close Height (mm)	Cylinder OD mm	Bore Dia OD mm	Ram Dia mm
10	100	MTSTS-10/100	15.8	159	250	60	45	36
	150	MTSTS-10/150	15.8	238	300	60	45	36
	200	MTSTS-10/200	15.8	318	350	60	45	36
20	100	MTSTS-20/100	31.24	352	250	95	63	56
	150	MTSTS-20/150	31.24	528	300	95	63	56
	200	MTSTS-20/200	31.24	705	350	95	63	56
30	100	MTSTS-30/100	44.16	442	250	100	75	56
	150	MTSTS-30/150	44.16	662	300	100	75	56
	200	MTSTS-30/200	44.16	883	350	100	75	56
50	100	MTSTS-50/100	78.5	785	270	130	100	86
	150	MTSTS-50/150	78.5	1176	320	130	100	86
	200	MTSTS-50/200	78.5	1570	370	130	100	86
75	100	MTSTS-75/100	113.04	1130	275	150	120	90
	150	MTSTS-75/150	113.04	1696	325	150	120	90
	200	MTSTS-75/200	113.04	2261	375	150	120	90

- Higher capacity and customized solutions on request.
- Specifications are subject to change due to continual improvement.
- Capacity and Stroke specified are maximum safe limits. Use at 80% of rating as safe practice.

Cap (Ton)	Stroke (mm)	Model	Effective Area (sq. cm)	Oil Cap (cc)	Close Height (mm)	Cylinder OD mm	Bore Dia OD mm	Ram Dia mm
100	100	MTSTS-100/100	153.86	1539	275	175	140	100
	150	MTSTS-100/150	153.86	2308	325	175	140	100
	200	MTSTS-100/200	153.86	3077	375	175	140	100
150	100	MTSTS-150/100	226.86	2270	300	215	170	150
	150	MTSTS-150/150	226.86	3403	350	215	170	150
	200	MTSTS-150/200	226.86	4538	400	215	170	150
200	100	MTSTS-200/100	314	3140	300	250	200	180
	150	MTSTS-200/150	314	4710	350	250	200	180
	200	MTSTS-200/200	314	6280	400	250	200	180
250	100	MTSTS-250/100	380	3800	350	285	220	180
	150	MTSTS-250/150	380	5700	400	285	220	180
	200	MTSTS-250/200	380	7600	450	285	220	180
300	100	MTSTS-300/100	452.39	4524	375	310	240	200
	150	MTSTS-300/150	452.39	6785	425	310	240	200
	200	MTSTS-300/200	452.39	9047	475	310	240	200
400	100	MTSTS-400/100	572.55	5725	440	350	270	250
	150	MTSTS-400/150	572.55	8590	490	350	270	250
	200	MTSTS-400/200	572.55	11451	550	350	270	250
500	100	MTSTS-500/100	706.86	7070	470	400	300	280
	150	MTSTS-500/150	706.86	10603	520	400	300	280
	200	MTSTS-500/200	706.86	14137	570	400	300	280

High Tonnage Jacks, Threaded Ram, Single Acting (Type-Load Return) Capacity: 600 - 2000 Ton | Stroke: 150 mm | Working pressure: 700 bar

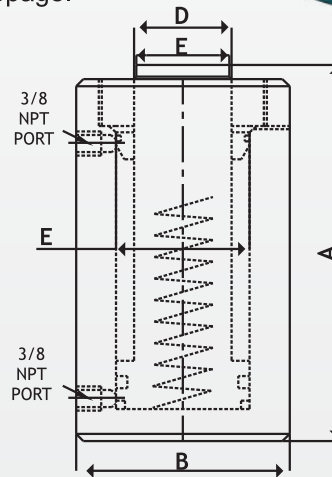
Cap (Ton)	Stroke (mm)	Model	Effective Area (sq. cm)	Oil Cap (cc)	Close Height (mm)	Cylinder OD mm	Bore Dia OD mm	Ram Dia mm
600	150	MTLTS-600/150	855.3	12830	495	435	330	275
800	150	MTLTS-800/150	1134.1	17012	535	510	380	310
1000	150	MTLTS-1000/150	1418.6	21280	570	560	425	350
1500	150	MTLTS-1500/150	2164.8	32475	660	710	525	450
2000	150	MTLTS-2000/150	2922.5	43837	750	815	610	525

MACHINE TREE DOUBLE ACTING PLAIN RAM JACK

General Purpose Jacks – Double Acting, Plain ram (Type-oil return)
Capacity 10 - 400 Tons | Stroke 50-150 mm
Max. Working Pressure 700 bar

Features / Application

- Perfect for bridge lifting, building reconstruction, shipyard, utility and mining equipment maintenance.
- Safety relief valve prevents over-pressurization of the retract circuit.
- Sealing technology provides lubrication to reduce friction and wear.
- Plunger With chrome plated surface treatment inhibits corrosion and provides exceptional durability.
- Floating piston design resists side loading conditions.
- Grooved ring pattern in load cap helps guard against load slippage.
- Each cylinder has two 3/8" NPT female half couplers.



Cap (Ton)	Stroke (mm)	Model Number	Effective Area (cm ²)	Oil Cap (cc)	A Close Height (mm)	B Cylinder OD (mm)	C Bore Dia (mm)	D Ram Dia (mm)	E Nose Dia (mm)
10	150	MTDP-10/150	15.9	238.6	280	80	45	30	28
15	150	MTDP-15/150	23.8	356.4	285	90	55	40	38
20	150	MTDP-20/150	31.2	467.6	290	100	63	50	48
25	150	MTDP-25/150	38.5	577.3	300	100	70	55	53
30	150	MTDP-30/150	44.2	662.8	310	105	75	55	53
50	150	MTDP-50/150	78.6	1178.3	310	135	100	70	67
75	150	MTDP-75/150	113.1	1696.7	310	160	120	90	87
100	150	MTDP-100/150	154.0	2309.4	315	185	140	110	106
150	150	MTDP150/150	227.0	3405.1	325	225	170	140	137
200	150	MTDP-200/150	314.2	4713.0	350	260	200	150	146
250	150	MTDP-250/150	380.2	5702.7	355	285	220	180	177
300	150	MTDP-300/150	452.4	6786.7	370	315	240	180	177
400	150	MTDP-400/150	572.6	8589.4	390	355	270	220	216

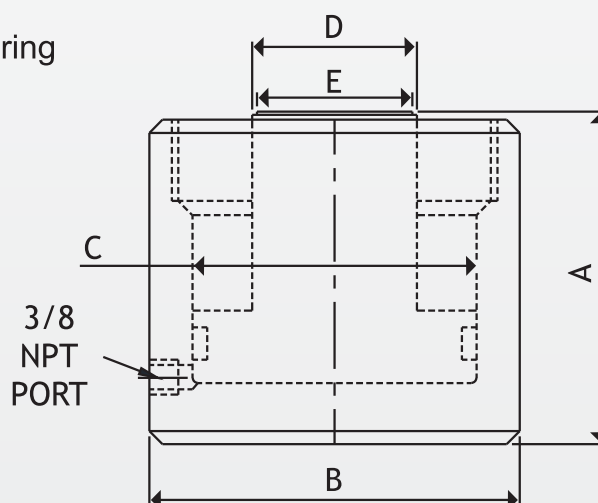
- Higher capacity and customized solutions on request.
- Specifications are subject to change due to continual improvement.
- Capacity and Stroke specified are maximum safe limits. Use at 80% of rating as safe practice.

MACHINE TREE LOW HEIGHT PLAIN RAM JACK

Low Height Jacks - Plain Ram, Single Acting (Type - Spring Return)
Capacity : 10 Ton & Above | Stroke 30-60 mm | Max : working 900 bar

Features / Application

- Light weight, low profile design for use in confined spaces.
- Baked enamel paint for increase corrosion resistance.
- Plunger wiper reduces contamination, extending cylinder life.
- Quick change coupler with dust cap for all models
- Grooved plunger end with threaded holes for mounting tilt saddle
- Integral handle above 50 ton capacity jacks.
- Hard chrome plated plunger Single acting spring return.



Cap (Ton)	Stroke (mm)	Model Number	Effective Area (cm ²)	Oil Cap (cc)	A Close Height (mm)	B Cylinder OD (mm)	C Bore Dia (mm)	D Ram Dia (mm)	E Nose Dia (mm)
10	30	MTSL-10/30	15.9	47.7	90	70	45	35	-
20	50	MTSL-20/50	31.2	155.9	115	90	63	50	-
30	50	MTSL-30/50	44.2	220.9	120	100	75	60	-
50	60	MTSL-50/60	78.6	471.3	125	130	100	80	60
75	60	MTSL-75/60	113.1	678.7	145	155	120	95	70
100	60	MTSL-100/60	154.0	923.7	150	180	140	110	80
150	60	MTSL-150/60	227.0	1362.1	165	220	170	140	100
200	60	MTSL-200/60	314.2	1885.2	200	255	200	160	110

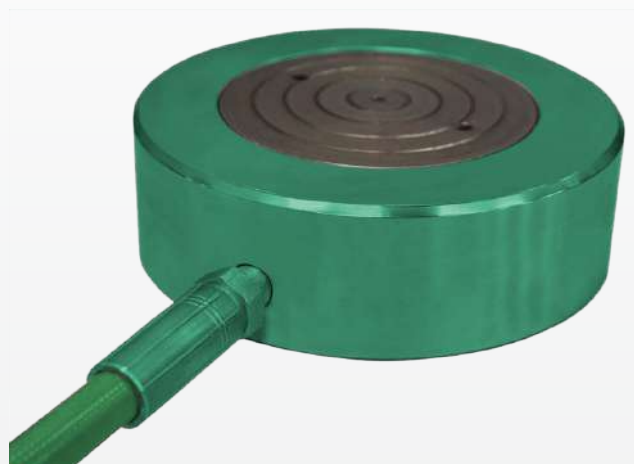
- Higher capacity and customized solutions on request.
- Specifications are subject to change due to continual improvement.
- Capacity and Stroke specified are maximum safe limits. Use at 80% of rating as safe practice.

MACHINE TREE PANCAKE JACK THREADED RAM JACK WITH SAFETY LOCK NUT

Pancake Jacks – Threaded Ram, Single Acting (Type – Load Return)
Capacity 10- 300 Tons | Stroke 45-50 mm | Max. Working Pressure 700 bar

Features / Application

- Compact design where space is limited.
- Locking collar designed to support lifted load for extended periods of time with hydraulic pressure released.
- Integral tilt saddle comes standard and improves performance under side load, reducing the effects of off-center loading
- Overflow port (weep hole) prevents piston from being over extended under load.
- Special coating improves corrosion and abrasion resistance
- Equipped with 3/8" NPTF female half couplers resistance.



Stroke Limiter provided

Oil will leak from top, without damaging the seal

Unique design guiding prevents scoring during off-center loading



NO RAM STOPPER, Don't over stroke

Stop lifting once

"Red Band" on ram appears

Jack being compact, provide leveled & solid support for entire base area & top

Cap (Ton)	Stroke (mm)	Model Number (mm)	Oil Cap (cc)	Effective Area (sq. cm)	Close Height (mm)	Cylinder OD (mm)	Bore Dia (mm)	Ram Dia (mm)
10	10	MTLPVL-10/10	16	15.92	30	80	45	45
20	10	MTLPVL-20/10	32	31.22	35	100	63	63
30	10	MTLPVL-30/10	44	44.3	40	110	75	75
50	10	MTLPVL-50/10	79	78.53	50	140	100	100
100	10	MTLPVL-100/10	154	153.89	70	180	140	140
150	10	MTLPVL-150/10	227	227	75	220	170	170
200	10	MTLPVL-200/10	315	314.22	80	260	200	200
300	10	MTLPVL-300/10	453	452.38	90	315	240	240

MACHINE TREE FLAT JACK PLAIN RAM, SINGLE ACTING (TYPE - SPRING RETURN)

Capacity 5 - 200 Ton | Stroke 10 - 16 mm
| Max. Working Pressure 700 bar

Features / Application

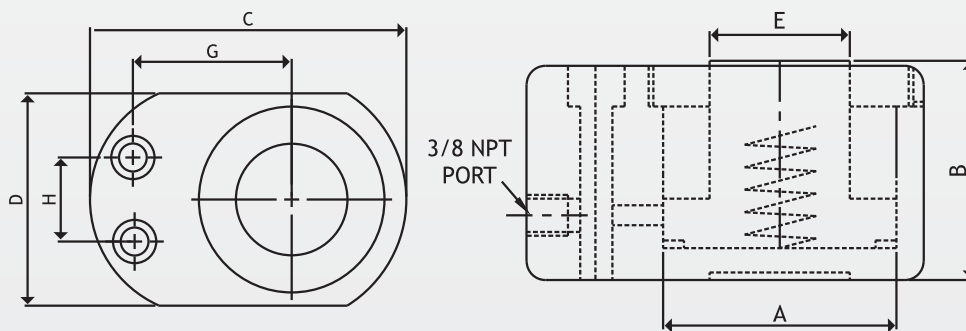
- Compact & flat design ideally suited where clearance is minimum for insertion of jack
- Mounting holes for easy fixturing.
- Stacking plate to increase closed height is optional
- Heavy equipment lifting, alignment & clamping
- Ensure no gap between jack & load to be lifted, to utilize full stroke
- Unique heavy-duty spring provides fast piston return on all cylinders.
- Cylinder body, piston and nut are heat treated & chrome plated for corrosion and abrasion resistance.



NOTE :

Jack being compact, provide leveled & solid support for entire base area & top.

Note : 5 Ton-10 | stroke has port 1/4"
NPT Hose 1/2 m length with end fittings provided.



Cap (Ton)	Stroke (mm)	Model	Working Pressure (Kg/cm ²)	Effective Area cm ²	A BORE mm	B Close Height mm	C OD (mm)	D A/F (mm)	E RM DIA (mm)	Mounting holes details (mm)		
										G	H	
5	10	MTSF-5/10	621.89	8.04	32	39	58	46	21	25	28	5.5
10	12	MTSF-10/12	628.93	15.9	45	47	82	58	36	35	36	7
20	11	MTSF-20/11	641.03	31.2	63	56	102	82	50	41.5	49	8.5
30	13	MTSF-30/13	678.73	44.2	75	62	116	95	60	47	55	11
50	16	MTSF-50/16	636.94	78.5	100	68	140	121	70	55	73	11
75	16	MTSF-75/16	663.13	113.1	120	87.5	176	146	88	70.5	83	13
100	16	MTSF-100/16	649.77	153.9	140	90	198	164	100	82	85	13
150	16	MTSF-150/16	660.79	227	170	105	230	205	120	93	113	13
200	16	MTSF-200/16	705.47	283.5	190	120	270	230	140	105	130	17

- Customized solutions on request.
- Specifications are subject to change due to continual improvement.
- Capacity and Stroke specified are maximum safe limits. Use at 80% of rating as safe practice.

HYDRAULIC CYLINDERS (Model : MTCL)

Capacity: 5 to 500 Ton | Stroke: 50 to 2000 mm
| Max. Working Pressure: 700 bar



Types	Mounting Style
Single Acting Cylinder	Clevis mounting.
Double Acting Cylinder	Double (Female) Clevis mounting at rear end.
Telescopic Cylinder	Intermediate trunnion mounting
Pushing / Pulling Cylinder	Front / Rear Trunnion mounting.
Piston Accumulators	Front / Rear Rectangle Flange mounting.

Side/ End foot mounting.
(Operated by hand pump / Power pack)



600 TON PULLING CYLINDERS

Capacity: 200-600 ton; Stroke: up to 100 mm

When it deals with creating maximum force using minimum effort, hydraulics is the best choice. The defence test rig applications need to produce a large pulling force. Machine tree has the capacity to design, build and install custom built pulling jacks. We are poised to take on your most challenging and complex projects, from conceptual design to installation and commissioning.

MACHINE TREE POWER PACK UNIT

Hydraulic power Pack Unit
Max. Working Pressure 700 bar

- Various models to suit varied applications
- Designed for continuous duty applications
- Custom built power packs offered on request
- **Options available:**
Hand lever/ Solenoid(Push button)
- Wheels for easy handling
- Voltages: 220/415 VAC, 50/60 HZ



Model	Flow(LPM)	Drive(HP)	Oil capacity(Ltr.)
-------	-----------	-----------	--------------------

700 Bar pressure, Piston pump, single discharge, 440V AC

MTVHP-2	1	2	20
MTVHP-3	1.5	3	30
MTVHP-5	2.6	5	50
MTVHP-7.5	3.7	7.5	80
MTVHP-7.5	3.7	7.5	120

Model	Pressure rating(Bar)		Flow(LPM)		Drive(HP)	Oil capacity(Ltr.)
-------	----------------------	--	-----------	--	-----------	--------------------

700 Bar pressure, Piston pump, dual discharge, 440V AC

	1st stage	2nd stage	1st stage	2nd stage		
MTVHPD-2	50	700	3.5	1	2	40
MTVHPD-3	50	700	4	1.5	3	50
MTVHPD-5	50	700	5.2	2.6	5	70
MTVHPD-5	50	700	13.6	3.7	7.5	80



Hand Pump

Hydraulic Hand pumps come with Piston plunger assembly which helps in developing the pressure of 1000 Bar to raise the Hydraulic Jacks.

Model	Cc	Oil Capacity
MT-HP002/2	2.8	2 ltr.
MT-HP01/3	12.6 / 2.8	3ltr.
MT-HP02/6	3 1 / 2.8	6ltr.
MT-HP02/13	3 1 / 2.8	13 ltr.



H BEAM HYDRAULIC STRAIGHTENING PRESS

H Beam Straightening Press is mainly used for the angle distortion straightening of heavy H-beam, it adopts hydraulic straightening which will have a strong straightening force and large straightening range and with high working efficiency and good quality. We can design and manufacture different specifications of H Beam Straightening Machine according to the different requirements of the client.

BOGIE TESTING PRESS

Bogie Load Testing Machines are Custom Built for Load Testing of Railway Bogies. The Bogie Rolls into the Machine Integral with Board Gauge Rails and Undergoes an Operation of Repetitive Loading and Unloading as per Test Program. The Load vs Deflection Characteristics are Graphically Recorded and Checked for Allowable Deflection Patterns.

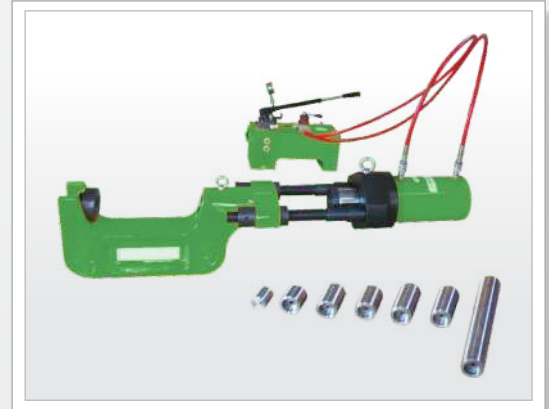


NUT SPLITTERS

Nut splitting with hydraulic nut splitters and cutters is the safest method. It takes less time and avoids costly damage to joint components. The head design fitted with heavy duty chisels permits the splitting of nuts on a wide variety of applications. With the two blade models nuts are split from two sides in one action.

TRACK LINK PRESS

Portable track pin press makes it possible to disassemble and reassemble chain sections, driving wheels, pulleys, rollers, gears, bearings and shafts in the field or workshop. Hydraulic track presses are used for the removal or installation of the pins from the undercarriage tracks of excavators, bulldozers, tanks, tractors, and similar track propelled machinery. High hydraulic pressures are required to force the pins which hold the modular plates, a portable hydraulic track field press (manual hydraulic or electric pump) is available for smaller machine tracks and larger fixed electrical machines are available for larger machinery tracks (suited for a workshop).



SYNCHRONOUS JACK

- Electromechanical design with lifting screw-nut system
- Fixed or movable claws
- Self-locking screw system for operation under the load
- Electromechanical screw jack hoisting system with ACME thread spindle and brass lifting and safety nuts
- Slim construction for a good free view and easy access to any part of lifted vehicle
- Control panel fitted on the column lift or fixed separate control unit placed at a distance from the jacks. Radio control available optionally

Hydro-Pneumatic Cylinder

Hydro-Pneumatic Cylinders are ideally suited for hydraulic systems with controlled actuators that perform slow, precise movements. The values are set either with high sensitivity using a scaled hand wheel or by remote control, using a stepper motor with an analog or digital set-point signal. High process quality is consistent and is made possible with the installed actuator that moves uniformly.

Application fields

- Hydraulic Systems with actuators that perform slow and precise movements without positions control
- Feed Control system in, for example, band saw systems
- Stroke control systems



De-Hooking System

De Hooking System helps in unloading sugarcane and is engineered to perfection

- Capacity- 20 Tone (4 nos. cylinder of 05 tonne capacity)
- Stroke-170 mm
- Overall Structure Size – 2545 x 885 x 300 mm
- Closed Height – 430 mm

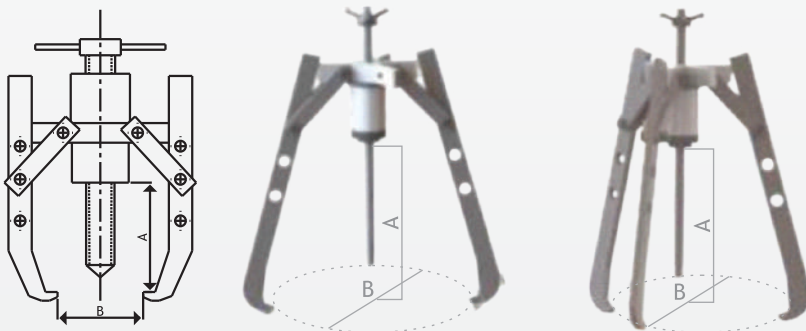


MACHINE TREE PULLER ATTACHMENT HYDRAULIC PULLER ATTACHMENT

Capacity 10 - 100 ton | Max. Working Pressure 700 bar

Features / Application

- Two & three jaw combination yoke
- High strength drop forged steel jaws
- Jaws with adjustable reach & spread
- Maintenance of workshop equipment. Removal of wheels, pulleys, gears, sleeves & other press fit assemblies



Cap (Ton)	Puller Model	No. of Jaws	Jack Capacity	Jack Stroke	Jack Model	A Cylinder Rich in mm	B Spread IN mm
10	MTPA-10-2/3J	2/3	10	100.0	MTSH-10/100	105	140
20	MTPA-20-2/3J	2/3	20	100.0	MTSH-20/100	105	140
30	MTPA-30-2/3J	2/3	30	100.0	MTSH-30/100	150	195
50	MTPA-50-2/3J	2/3	50	100.0	MTSH-50/100	150	195
100	MTPA-100-2/3J	2/3	100	100.0	MTSH-100/100	180	235

Note: Dimensions indicated are with 15 DEGREE spread of puller legs





MANIFOLD BLOCKS



HOSE PIPES



PRESSURE GAUGE



HYDRAULIC COUPLING



HYDRAULIC SEALS



HYDRAULIC FITTINGS



HYDRAULIC OIL



SWIVEL ELBOW



STRAIGHT COUPLING



STAND PIPE



PIPE CLAMPS



MSE



HEX PLUG



FERRULES



EQUAL TEE



COUPLING NUT



machine tree

Imagination. Innovation. Excellence.

Certified with

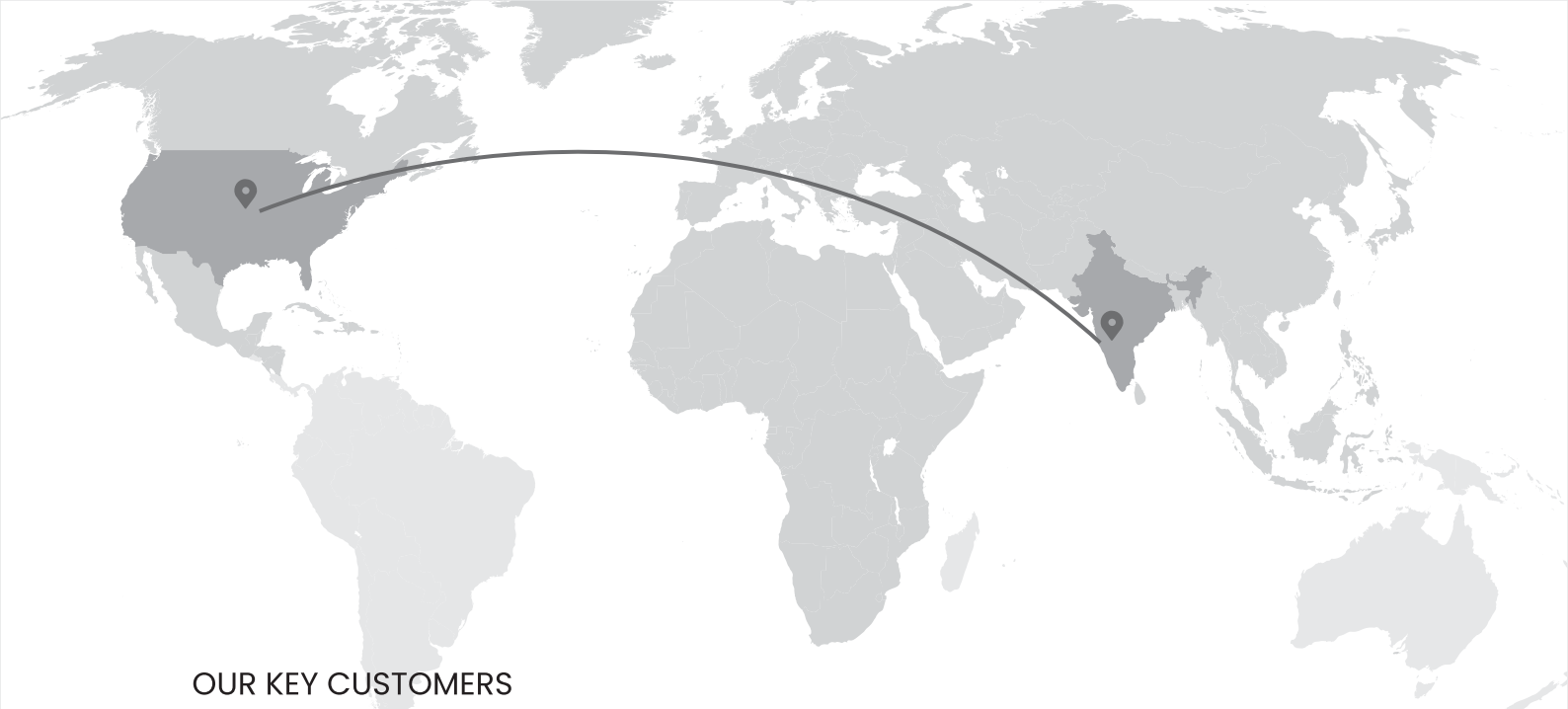


INDUSTRIES WE SERVE

- Construction & Earth moving equipments
- Sugar & Agricultural Sector
- Oil, Mining, Thermal Power Plant
- Elevator Industry
- Ship Building & servicing
- Automotive Industry & Heavy Industrial Equipments
- Railways
- Power Generation Plants
- Defence Industry
- Pharmaceutical & Chemical Industry
- Space Research



www.machinetree.in



OUR KEY CUSTOMERS



✉ sales@machinetree.in 🌐 www.machinetree.in

 HEAD OFFICE &
MANUFACTURING UNIT

📍 Sy. No. 10, Plot No. 15/B, Behind KEB Quarters,
Udyambag, Belgaum – 590008 KARNATAKA

☎ +91 88844 00221 📞 +91 94481 19531

✉ sales@machinetree.in

 SALES / SERVICE
OFFICE

📍 3783 Timbercrest Dr,
Troy Michigan 48083. USA.

📍 1338 Sussex Turnpike, Randolph,
New Jersey USA 07869.

☎ +1-248-918-2342